

Portable optical DO meter

ARO-PR

ISO9001



JQA0950

An easier and faster alternative to Winker method



- Fast response DO sensor (99%: less than 7 s)
- DO measurements directly from BOD bottles
- Accurate calibration by certified trace gases
- Significantly less recalibration



JFE Advantech Co., Ltd.

ARO-PR

Portable optical DO meter

■ Description

The Portable optical DO meter makes use of the fast-response optical DO sensor RINKO, maintaining its high-speed response performance (99% response < 7sec at 25°C). The meter probe is equipped with a temperature sensor close to the sensing foil, and the measurements are made by simply inserting the probe into a BOD (Biological Oxygen Demand) bottle (the calibration is carried out using the National Metrology Institute of Japan (NMIJ) certified traceable gases standards). Differently from galvanic electrode sensors, the instrument does not require water sample stirring or fixing reagents, since there is no oxygen consumption. Thus, the required time to estimate dissolved oxygen is considerably reduced. The display unit shows the output instantaneously, and you can check the measured values in real time.

* This instrument was developed in collaboration with the Japanese Agency for Marine-Earth Science and Technology (JAMSTEC).

■ Sensor specifications

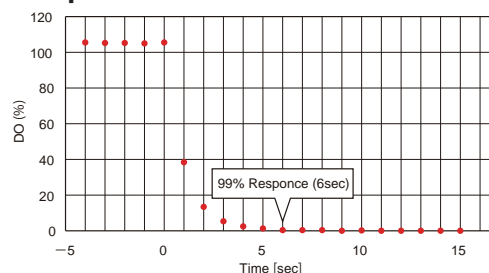
Parameter	DO	Temperature
Range	0 to 20mg L ⁻¹ 0 to 625μmol L ⁻¹ (0 to 200% of saturation)	-3 to 45°C
Repeatability	±0.1%FS	±0.002°C
99% of response*	7 s	2 s
Initial accuracy	±1% RD or ±1.5μmol L ⁻¹ (0 to 500 μmol L ⁻¹ , 3 to 30°C)	±0.01°C (0 to 35°C)
Dimensions	Φ13mm×158mm (metal part)	
Cable length	1m	
Pressure resistance	suitable for IPX7 (for 30 minutes)	

*Value measured by the instrument prototype

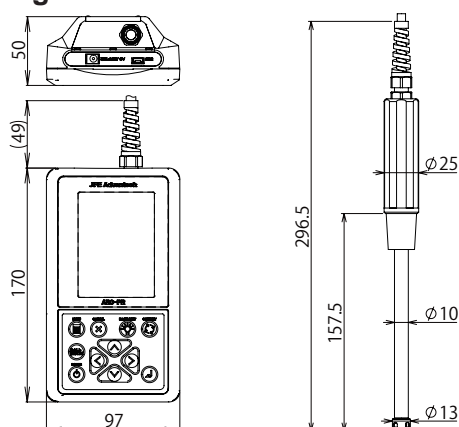
■ Instrument specifications

Memory capacity	512MB
Battery	Rechargeable lithium battery/1,700mAh
Continuous usage	9 h
Communication	USB (Ver2.0 and Ver1.1)
Water resistance	suitable for IPX5
Weight	580g battery included (battery: 95g±10g)

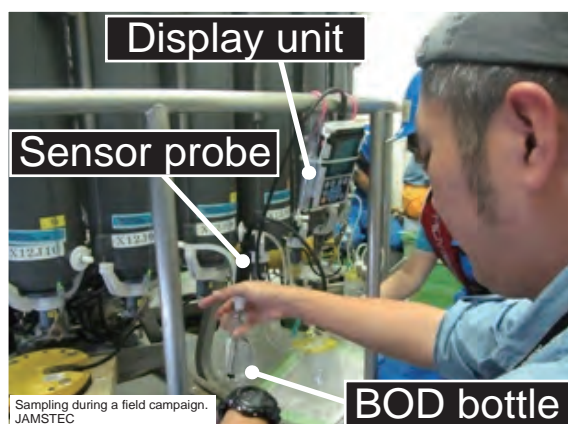
■ Response time



■ Drawing



※ Dimensions are in mm.



※ All specifications on this leaflet are subject to change without notice.

 **JFE Advantech Co., Ltd.**

JFE

Ocean & River Instruments Division

URL: <http://www.jfe-advantech.co.jp/>

Head Office

3-48 Takahata cho, Nishinomiya, Hyogo 663-8202

TEL. +81-798-66-1783

FAX. +81-798-66-1654

Tokyo Head Office

JFE Kuramae Bldg. 2F, 2-17-4 Kuramae, Taito ku, Tokyo 111-0051

TEL. +81-3-5825-5589

FAX. +81-3-5825-5591

Tohoku Sales Office

TM Bldg. 2F, 1-3-1, Ichiban cho, Aoba ku, Sendai, Miyagi 980-0811

TEL. +81-22-711-7535

FAX. +81-22-711-7534