

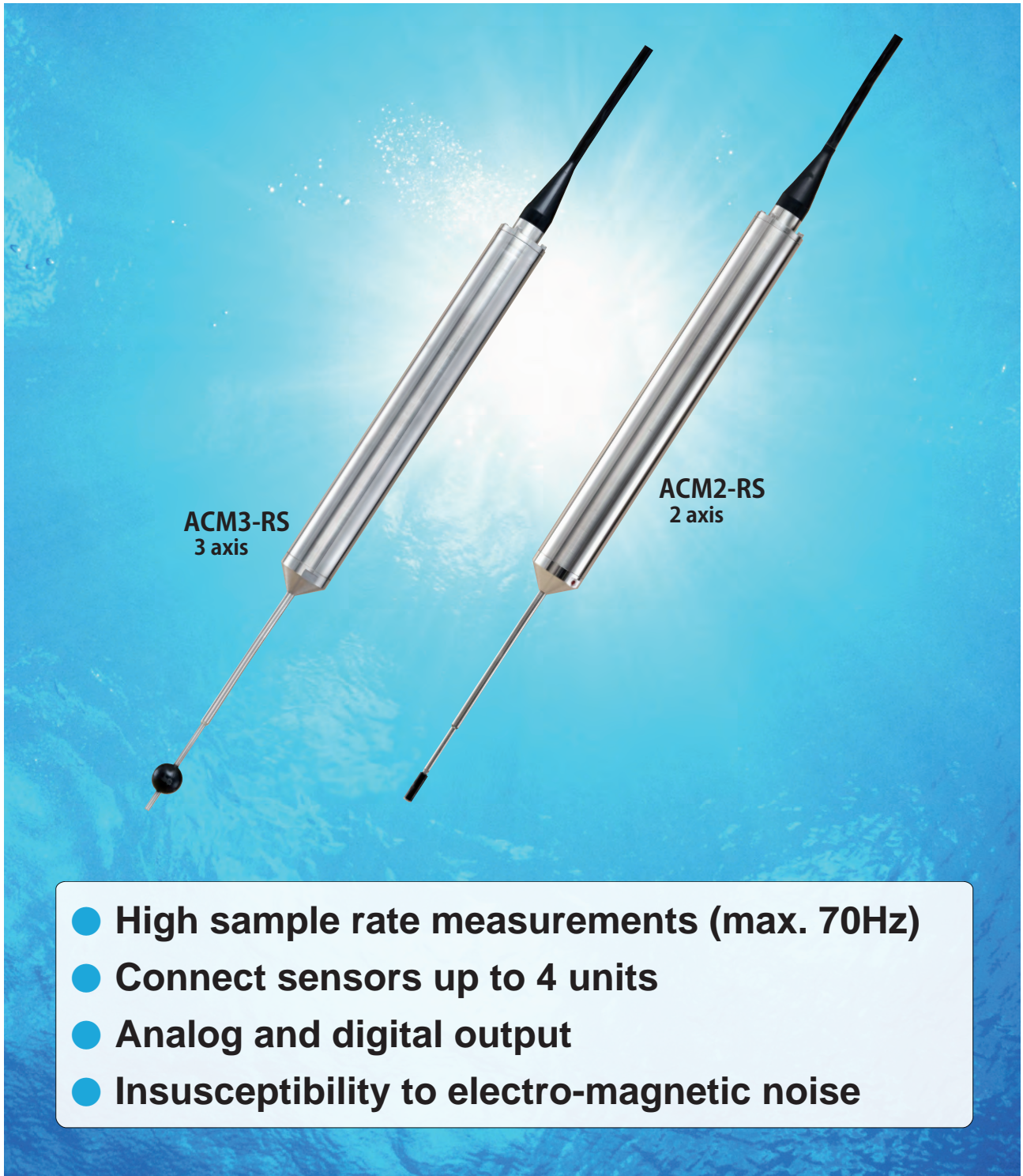
Laboratory electro-magnetic current meter

ACM series

ACM2-RS
ACM3-RS
ACM-4IF



For low noise single point current measurements



JFE Advantech Co., Ltd.

Laboratory electro-magnetic current meter

ACM2-RS, ACM3-RS, ACM-4IF

■ Description

ACM2-RS and ACM3-RS are 2-D and 3-D electro-magnetic current meters for laboratory experiments. The models provide digital output, a high-speed sampling rate and insusceptibility to electro-magnetic noise. With the new system, a maximum of four different sensors can be connected to the compact interface unit, enabling simultaneous recording on a personal computer. Additionally, the system can provide analog output as well as necessary.

■ Sensor Specifications

	2-D Velocity Sensor	3-D Velocity Sensor
Model name	ACM2-RS	ACM3-RS
Parameter	Velocity in two horizontal directions (X and Y)	Velocity in three horizontal and vertical directions (X, Y, and Z)
Measuring range	Each axis: $\pm 250\text{cm s}^{-1}$	
Measuring accuracy	$\pm 0.5\text{cm s}^{-1}$ or $\pm 2\%$ (0 to $\pm 100\text{cm s}^{-1}$)	
Resolution	0.1 cm s^{-1}	
Zero point stability	Within 0.1 cm s^{-1}	
Response time	0.05, 1, 5 s (switching type)	
Sampling rate	15 to 70Hz (in accordance with number of sensors)	15 to 60Hz (in accordance with number of sensors)
Digital output	RS-232C	
Analog output	-1V to +1V	
Power	12V DC (from interface)	
Overall dimensions	Maximum diameter: 34mm, Total length: 420mm	
Detector area dimensions	$\Phi 6\text{mm} \times 19\text{mm}$	$\Phi 20\text{mm}$ (spherical shape)
Detector area pressure resistant depth	5 m/24 h	
Cable	10m (standard), $\Phi 6\text{mm}$ polyurethane outer sheath, 6-core cable	

■ Interface Specifications

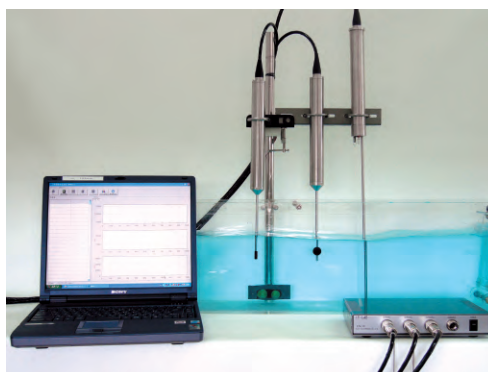
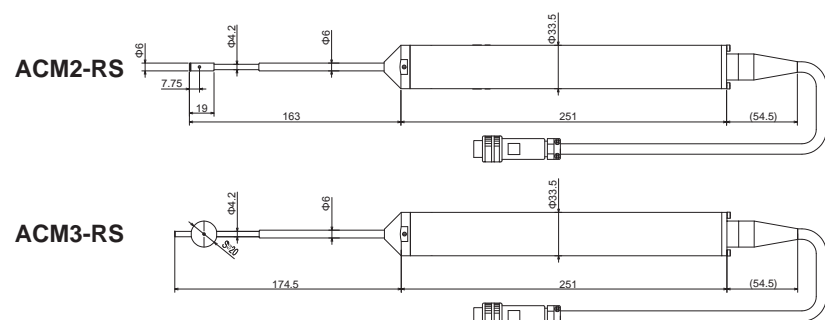


ACM-4IF

Model Name	Maximum No. of Sensors	Power Source *	Dimensions
ACM-4IF	4	100 to 120V AC or 200 to 230V AC	260mm×190mm×55mm

* Factory setting

■ Drawing



※ Dimensions are in mm. ※ All specifications on this leaflet are subject to change without notice.

 **JFE Advantech Co., Ltd.**

JFE

Ocean & River Instruments Division

URL: <http://www.jfe-advantech.co.jp/>

Head Office 3-48 Takahata cho, Nishinomiya, Hyogo 663-8202
TEL. +81-798-66-1783 FAX. +81-798-66-1654

Tokyo Head Office JFE Kuramae Bldg. 2F, 2-17-4 Kuramae, Taito ku, Tokyo 111-0051
TEL. +81-3-5825-5589 FAX. +81-3-5825-5591

Tohoku Sales Office TM Bldg. 2F, 1-3-1, Ichiban cho, Aoba ku, Sendai, Miyagi 980-0811
TEL. +81-22-711-7535 FAX. +81-22-711-7534