

PU-8ALSF Piezoelectric-Type Pick-up Specification

1.Type

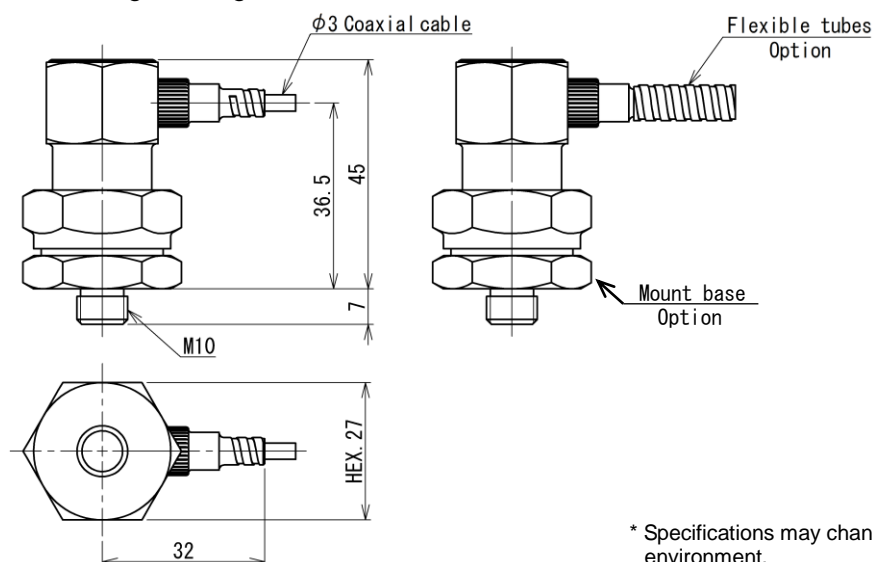
PU-8ALSF- -

Basic 1 2 3 4

1	Cable length	5	5m
		10	10m
		20	20m
2	Preservation of cable	N	Non-protection
		F	With protection (Flexible tubes made of stainless steel: 7mm Diameter)
3	Cable terminal	F	Free
		T	Solderless terminal ($\phi 3$, Ring terminal)
		A	MK-21 connector
		C	MK-210 connector
		D	MK-220 connector
4	Mount base	(space)	Non mount base
		-B	With mount base

2.Specifications

(1) Sensitivity	5.1mV/(m/s ²) (50mV/G) $\pm 10\%$
(2) Frequency range (± 3 dB)	5 to 8,000Hz
(3) Maximum measuring acceleration	343m/s ² (35G)
(4) Shock survivability	9,800m/s ² (1,000G) Peak
(5) Mounted resonance frequency	12kHz min.
(6) Operating temperature range	-10 to +150°C
(7) Preserve temperature range	-15 to +155°C
(8) Weight	138g
(9) Case material	SUS303
(10) Cable	$\phi 3$ Coaxial cable (fluoropolymer-coated)
(11) Mounting	JIS M10, Length 7mm
(12) Amplifier	Preamplifier built-in
(13) Excitation voltage	+12 to +25VDC
(14) Constant current excitation	+0.88 to +5.1mA
(15) Output bias voltage	+5.13 to +8.90VDC
(16) Electrical isolation	Case isolated
(17) Protection against ingress of water	IPX7



* Specifications may change depending on usage environment.