

PU-6GHT6 Piezoelectric-Type Pick-up Specification

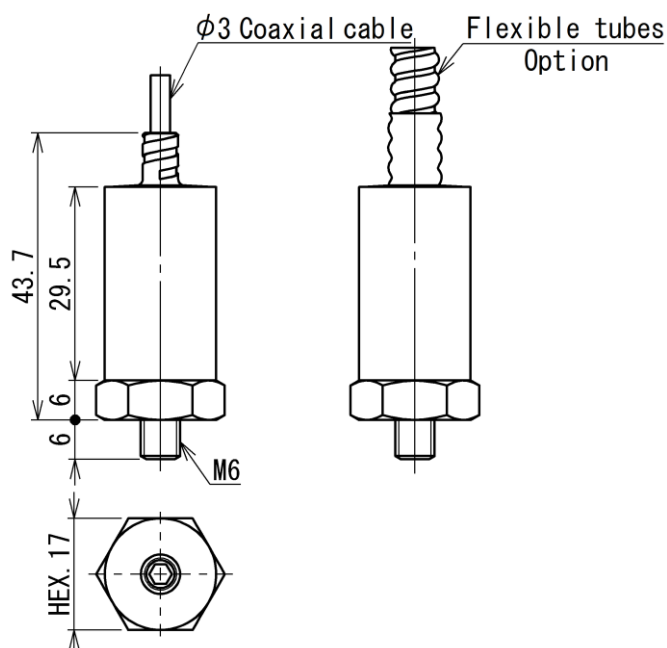
1.Type

PU-6GHT6- -
 Basic 1 2 3

1	Cable length	5	5m
		10	10m
		20	20m
2	Preservation of cable	N	Non-protection
		F	With protection (Flexible tubes made of stainless steel: 7mm Diameter)
3	Cable terminal	F	Free
		T	Solderless terminal ($\phi 3$, Ring terminal)

2.Specifications

(1) Sensitivity	51mV/(m/s ²) (500mV/G) $\pm 10\%$
(2) Frequency range (± 3 dB)	0.2 to 10,000Hz *
(3) Maximum measuring acceleration	98m/s ² (10G)
(4) Shock survivability	9,800m/s ² (1,000G) Peak
(5) Mounted resonance frequency	20kHz min.
(6) Operating temperature range	-20 to +80°C
(7) Preserve temperature range	-24.5 to +85°C
(8) Weight	40g
(9) Case material	SUS303
(10) Cable	$\phi 3$ Coaxial cable (polyethylene-coated)
(11) Mounting	JIS M6, Length 6mm
(12) Amplifier	Preamplifier built-in
(13) Excitation voltage	+23 to +25VDC
(14) Constant current excitation	+3.9 to +5.1mA
(15) Output bias voltage	+14 to +16VDC
(16) Electrical isolation	Case isolated
(17) Protection against ingress of water	IPX7



* Specifications may change depending on usage environment.