

# PU-6AHT6 Piezoelectric-Type Pick-up Specification

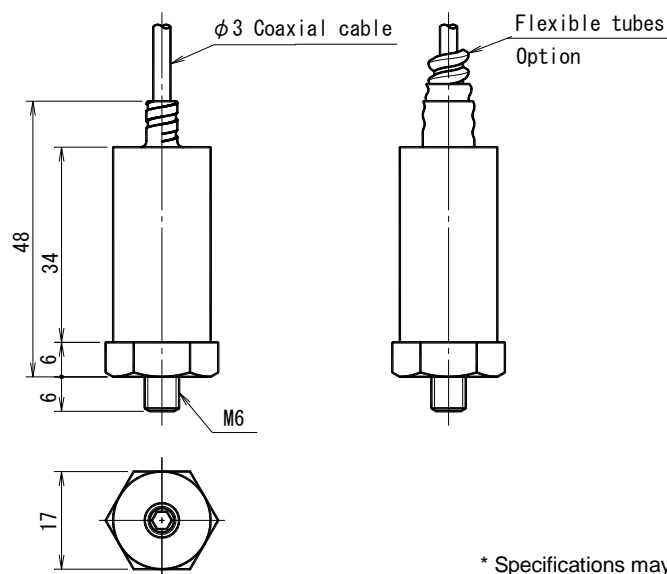
## 1. Type

PU-6AHT6-  -    
 Basic      1      2      3

1	Cable length	5	5m
		10	10m
		20	20m
2	Preservation of cable	N	Non-protection
		F	With protection (Flexible tubes made of stainless steel: 7mm Diameter)
3	Cable terminal	F	Free
		T	Solderless terminal ( $\phi 3$ , Ring terminal)
		D	MK-220 connector

## 2. Specifications

- |  |   |
|--|---|
| (1) Sensitivity                          | 5.1mV/(m/s <sup>2</sup> ) (50mV/G) $\pm 10\%$ |
| (2) Frequency range ( $\pm 3$ dB)        | 5 to 15,000Hz                                 |
| (3) Maximum measuring acceleration       | 980m/s <sup>2</sup> (100G)                    |
| (4) Shock survivability                  | 9,800m/s <sup>2</sup> (1,000G) Peak           |
| (5) Mounted resonance frequency          | 20kHz min.                                    |
| (6) Operating temperature range          | -20 to +80°C                                  |
| (7) Preserve temperature range           | -24 to +85°C                                  |
| (8) Weight                               | 46g   |
| (9) Case material                        | SUS303  |
| (10) Cable                               | $\phi 3$ Coaxial cable (polyethylene-coated)  |
| (11) Mounting                            | JIS M6, Length 6mm                            |
| (12) Amplifier                           | Preamplifier built-in                         |
| (13) Excitation voltage                  | +23 to +25VDC                                 |
| (14) Constant current excitation         | +3.9 to +5.1mA                                |
| (15) Output bias voltage                 | +8.80 to +14.90VDC                            |
| (16) Electrical isolation                | Case isolated                                 |
| (17) Protection against ingress of water | IP66/IP67                                     |



\* Specifications may change depending on usage environment.