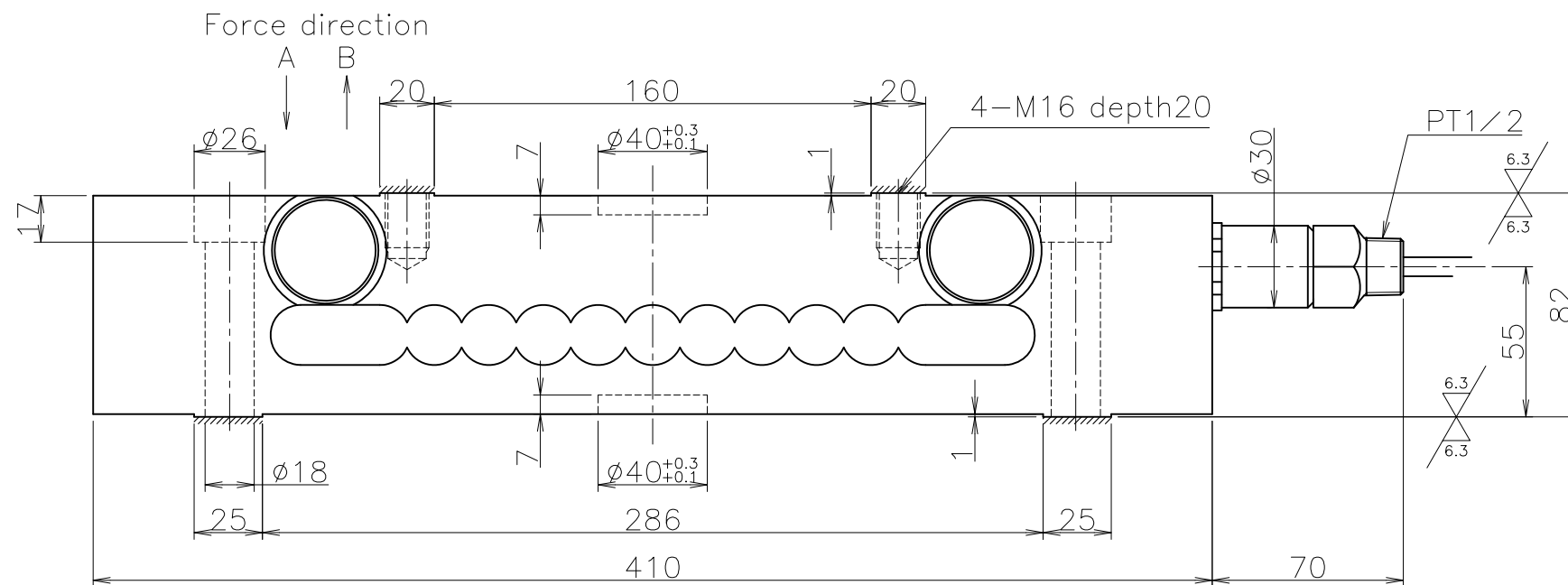
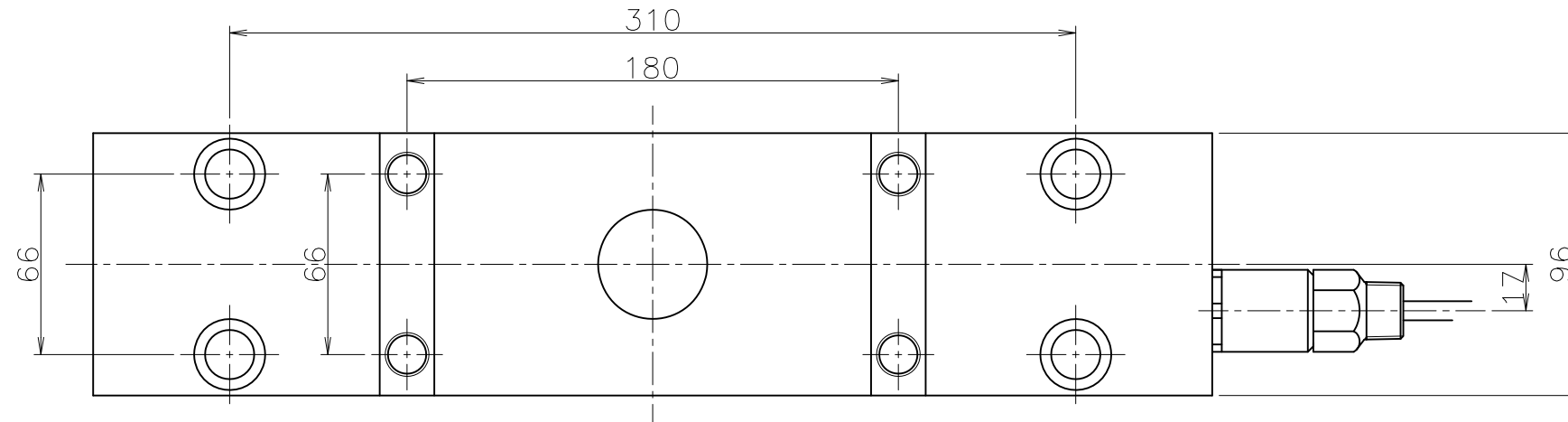


ITEM	DWG.NO.	NAME OF PARTS	SIZE	MATERIAL	UNIT	MASS	REMARKS
------	---------	---------------	------	----------	------	------	---------



Specification

Model	TM-V100-BM
Rated Load (R.L.)	98.07kN (10tf)
Rated Output (R.O.)	1.0±0.001mV/V
Nonlinearity	±0.2%R.O.
Hysteresis	±0.2%R.O.
Repeatability	0.03%R.O.
Recommended excitation	$\triangle B$ 5~15VDC
Maximum excitation	20VDC
Zero balance	±1%R.O.
Input resistance	800±40Ω
Output resistance	700±30Ω
Temp. effect on zero	0.03%R.O./10°C
Temp. effect on output	0.05%LOAD/10°C
Compensated temp. range	-10~+60°C
Safe temp. range	-20~+90°C
Safe overload rating	400%R.L.
IP protection rating	IP67
Cable	ø7-4 shield cable
Cable length	10m
Mass	18kg
Painting color	Munsell 2.5PB3.5/10
Wiring color	Force direction A Red: +Exc White: -Exc Green: +Sig Blue: -Sig $\triangle A$ Yellow: Shield Force direction B Red: +Exc White: -Exc Green: -Sig Blue: +Sig $\triangle A$ Yellow: Shield

MARK	REVISION	DATE	REVISED	APPROVED
$\triangle C$				
$\triangle B$	Modification of recommended excitation	Dec.1.2014	Y.Tomitaka	Y.Tomitaka
$\triangle A$	Correction of wiring color spelling	Feb.2.2012	Y.Furuya	Y.Furuya

APPROVED	CHECKED	DESIGNED	DRAWN	TITLE
Y.Furuya	Y.Furuya	K.Tanaka		TM-V100-BM type load cell
				Outline drawing
DATE '11.05.20		SCALE 1 : 2.5		DRAWING NO. MA3-11960B
ORIGINAL NO.		MA3-11808		

JFE Advantech Co., Ltd.