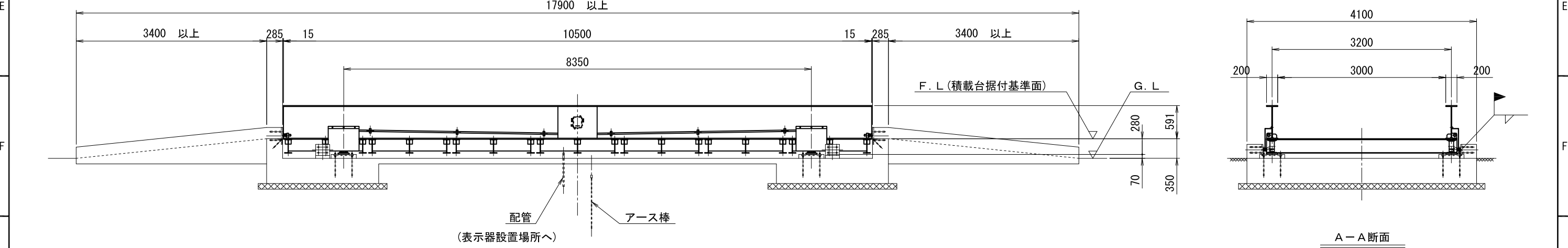
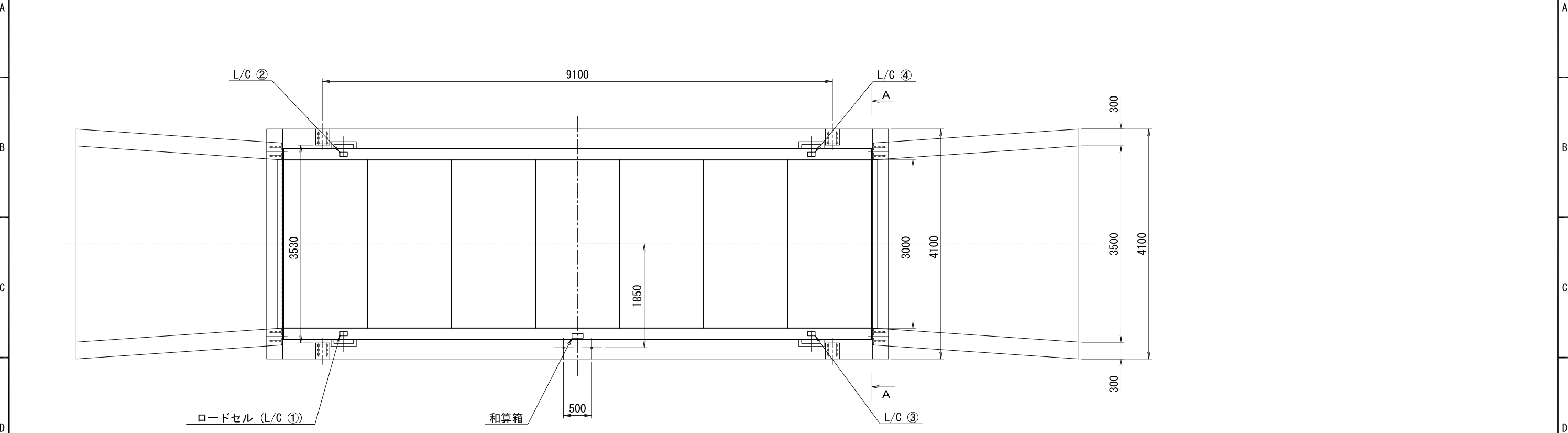


| ITEM | DWG. NO. | NAME OF PARTS | SIZE | MATERIAL | UNIT | MASS | REMARKS |
|------|----------|---------------|------|----------|------|------|---------|
|      |          |               |      |          |      |      |         |



|              |            |              |       |                         |
|--------------|------------|--------------|-------|-------------------------|
| APPROVED     | CHECKED    | DESIGNED     | DRAWN | TITLE                   |
| 唐津山本         | 河原         | 松浦           |       | KMG7-10530-2 トラックスケール   |
|              |            |              |       | 組立図                     |
| DATE '97.6.6 | SCALE 1:50 | ORIGINAL NO. |       | JFE Advantech Co., Ltd. |
|              |            |              |       | DRAWING NO. DA2-4694    |