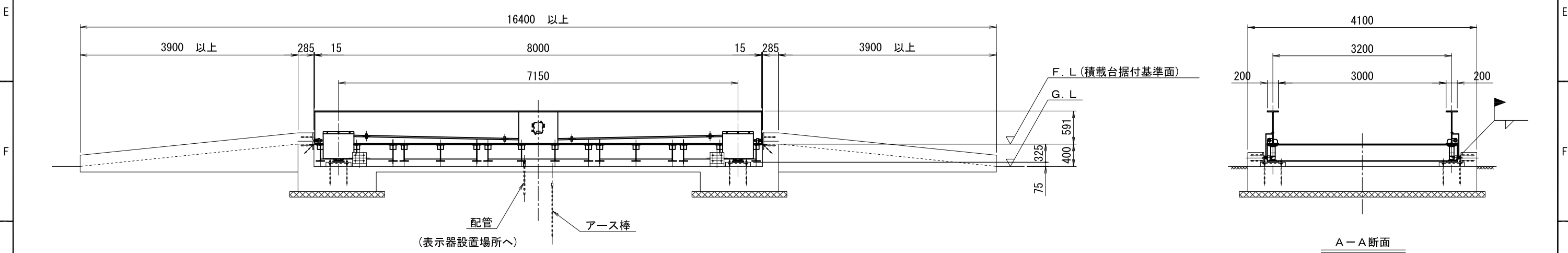
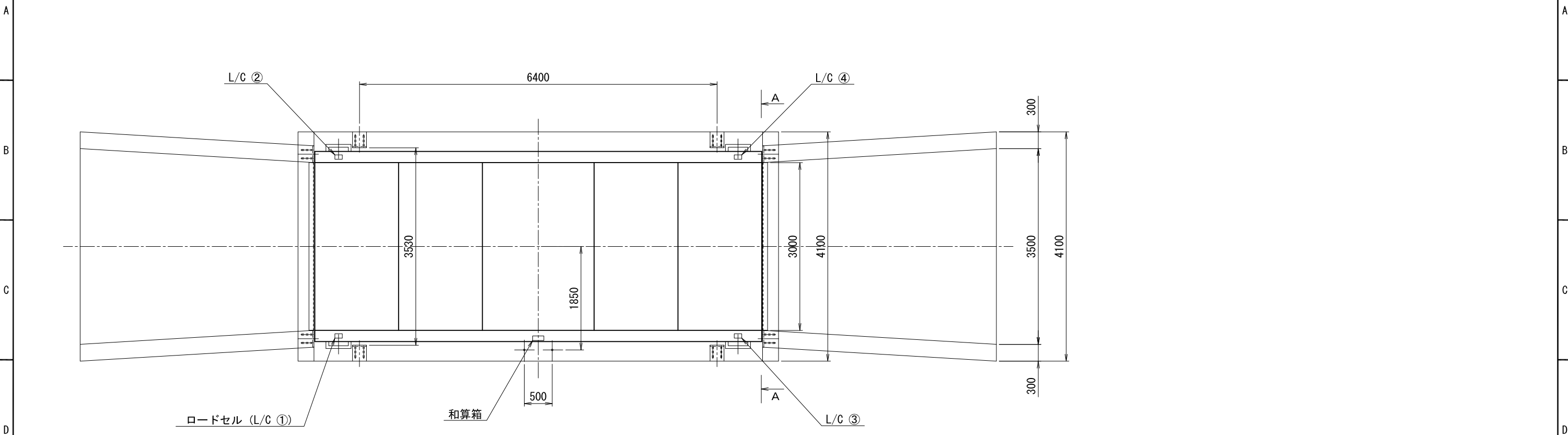


| ITEM | DWG. NO. | NAME OF PARTS | SIZE | MATERIAL | UNIT | MASS | REMARKS |
|------|----------|---------------|------|----------|------|------|---------|
| | | | | | | | |



| | | | | |
|--------------|------------|--------------|-------|-----------------------------|
| APPROVED | CHECKED | DESIGNED | DRAWN | TITLE |
| 唐津 山本 | 河原 | 松浦 | | KMG7-8030-3 トラックスケール 組立図 |
| DATE '97.6.6 | SCALE 1:50 | ORIGINAL NO. | | JFE Advantech Co., Ltd. |
| DRAWING NO. | | | | DA2-4690 |