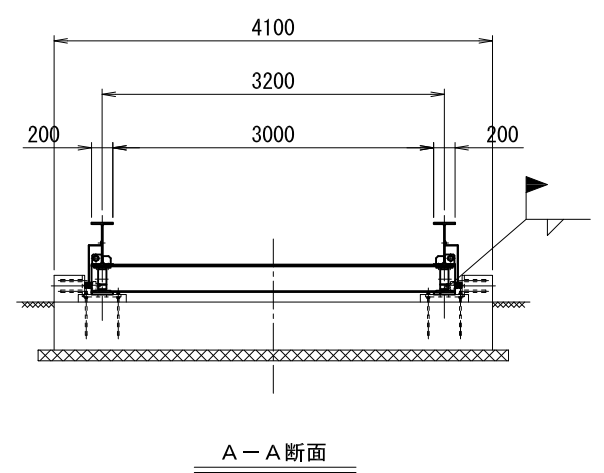
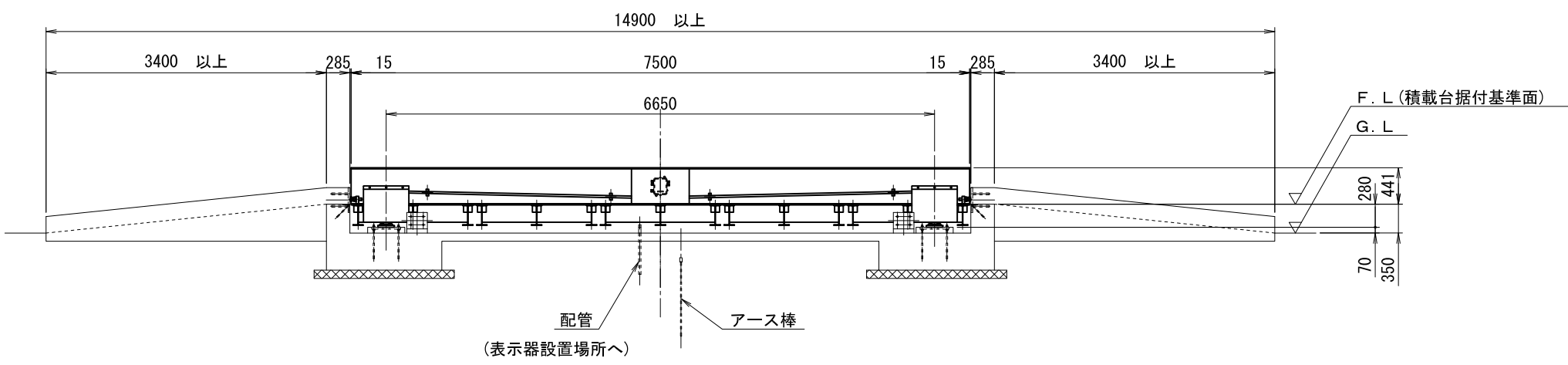
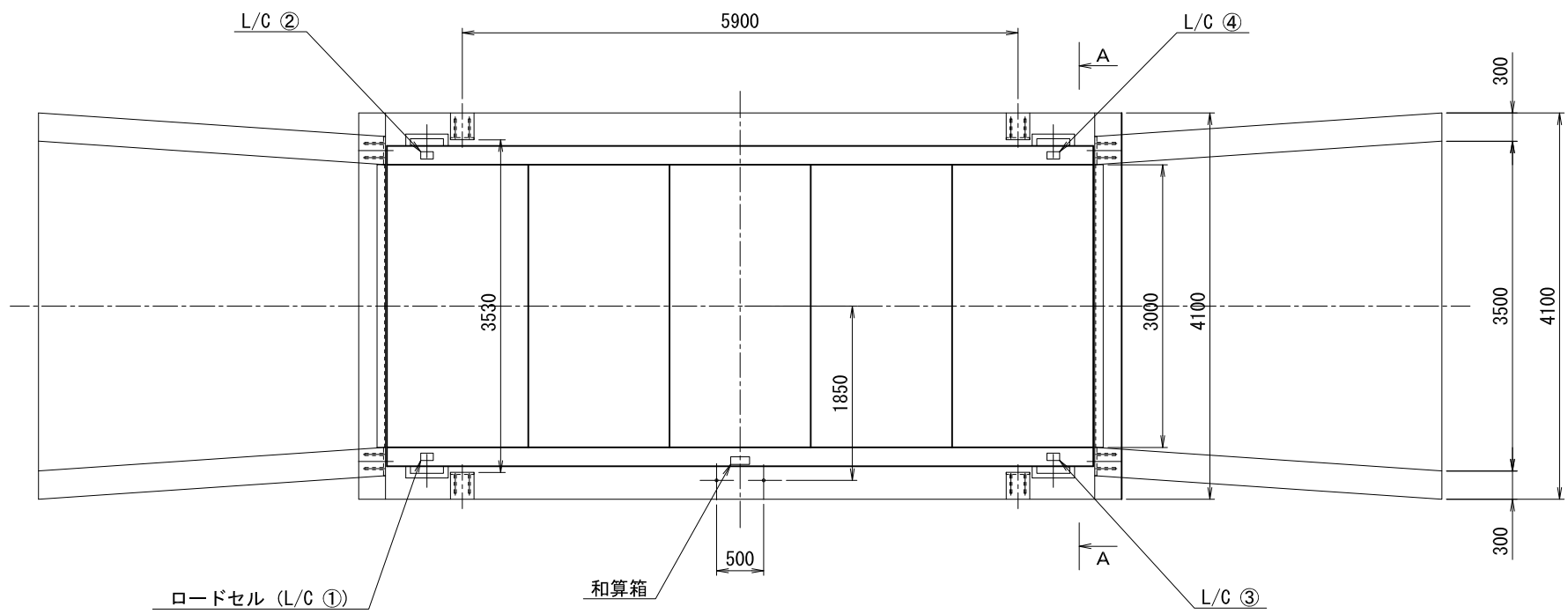


| ITEM | DWG. NO. | NAME OF PARTS | SIZE | MATERIAL | UNIT | MASS | REMARKS |
|------|----------|---------------|------|----------|------|------|---------|
| | | | | | | | |



| | | | | |
|--------------|-------------------------|----------|-------------|----------------------|
| APPROVED | CHECKED | DESIGNED | DRAWN | TITLE |
| 唐津山本 | 河原 | 松浦 | | KMG7-7530-1 トラックスケール |
| DATE '97.6.6 | SCALE 1:50 | | | 組立図 |
| ORIGINAL NO. | JFE Advantech Co., Ltd. | | DRAWING NO. | DA2-4684 |

| MARK | REVISION | DATE | REVISED | APPROVED |
|------|----------|------|---------|----------|
| | | | | |