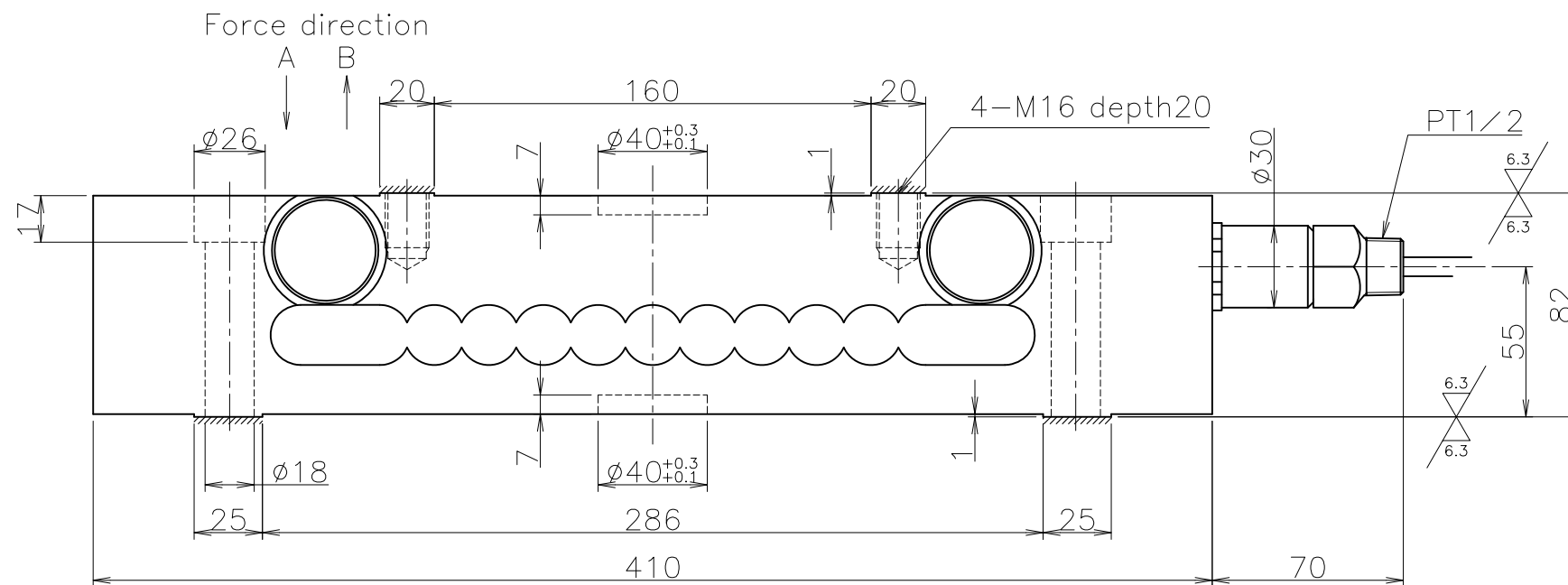
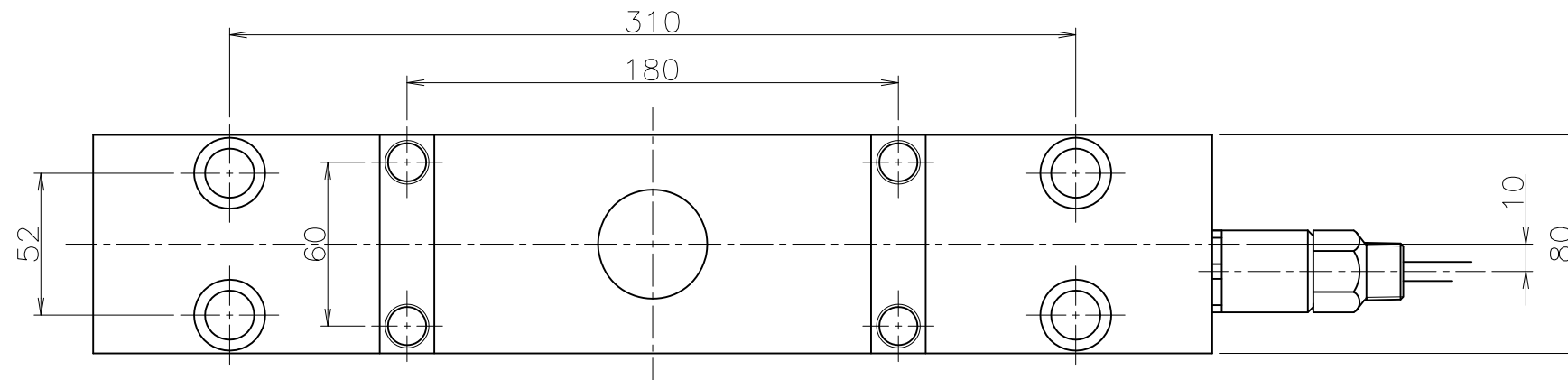


ITEM	DWG.NO.	NAME OF PARTS	SIZE	MATERIAL	UNIT	MASS	REMARKS
------	---------	---------------	------	----------	------	------	---------



Specification

Model	TM-V20-BM	TM-V50-BM
Rated Load (R.L.)	19.61kN (2tf)	49.03kN (5tf)
Rated Output (R.O.)	1.0±0.001mV/V	
Nonlinearity	±0.2%R.O.	
Hysteresis	±0.2%R.O.	
Repeatability	0.03%R.O.	
Recommended excitation	△ 5~15VDC	
Maximum excitation	20VDC	
Zero balance	±1%R.O.	
Input resistance	800±40Ω	
Output resistance	700±30Ω	
Temp. effect on zero	0.03%R.O./10°C	
Temp. effect on output	0.05%LOAD/10°C	
Compensated temp. range	-10~+60°C	
Safe temp. range	-20~+90°C	
Safe overload rating	400%R.L.	
IP protection rating	IP67	
Cable	φ7-4 shield cable	
Cable length	10m	
Mass	15kg	
Painting color	Munsell 2.5PB3.5/10	
Wiring color	Force direction A Red: +Exc White: -Exc Green: +Sig Blue: -Sig △ Yellow: Shield Force direction B Red: +Exc White: -Exc Green: -Sig Blue: +Sig △ Yellow: Shield	

MARK	REVISION	DATE	REVISED	APPROVED
△C				
△B	Modification of recommended excitation	Dec.1.2014	Y.Tomitaka	Y.Tomitaka
△A	Correction of wiring color spelling	Feb.2.2012	Y.Furuya	Y.Furuya

APPROVED	CHECKED	DESIGNED	DRAWN	TITLE
Y.Furuya	Y.Furuya	K.Tanaka		TM-V20,V50-BM type load cell
				Outline drawing
DATE '11.05.20		SCALE 1 : 2.5		DRAWING NO. MA3-11958B
ORIGINAL NO.		MA3-11806		

JFE Advantech Co., Ltd.